

Fuji USER MANUAL

MARKING PEN

MODEL : G-400

《PENCIL HAMMER》

Fuji Marking Pen featured with outstanding low vibration level compared to conventional marking pens make it possible for operators to use those marking pens continuously for full working hours. Besides the outstanding feature, it needs no oiling. This marking pen really meets the latest market demand for non-vibration and lubrication-free tool.



SPECIFICATIONS

MODEL	Overall Length (about)		Weight (about)		Diameter (about)		Air Consumption (about)		Air Pressure	
	mm	in	kg	lb	mm	in	at 6 kg/cm ²	at 85 lb/in ²	kg/cm ²	lb/in ²
G-400	140	5 ¹ / ₂	0.15	0.33	20	²⁵ / ₃₂	0.03m ³ /min	1.05ft ³ /min	6-8	85-113

⚠ Refer to "The Instructions and Warning for Safety Use" enclosed in each tool box.

Fuji Industrial Technique Co.,Ltd.

2-1-14, Kamiji, Higashinari-ku, Osaka, 537-0003 Japan

Tel : 81-6-6972-2335

Fax : 81-6-6972-2380

ASSEMBLY TOOLS

ABRASIVE TOOLS

DRILLS / TAPPERS

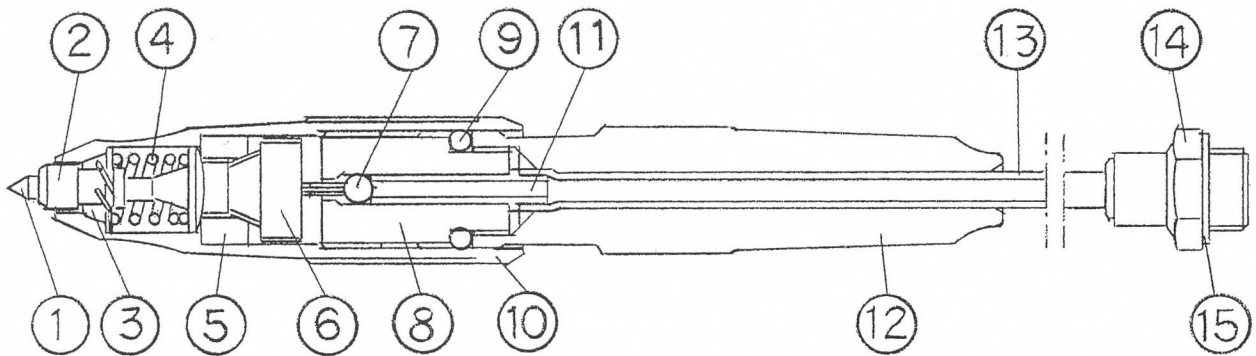
PERCUSSIVE TOOLS

AIR MOTORS

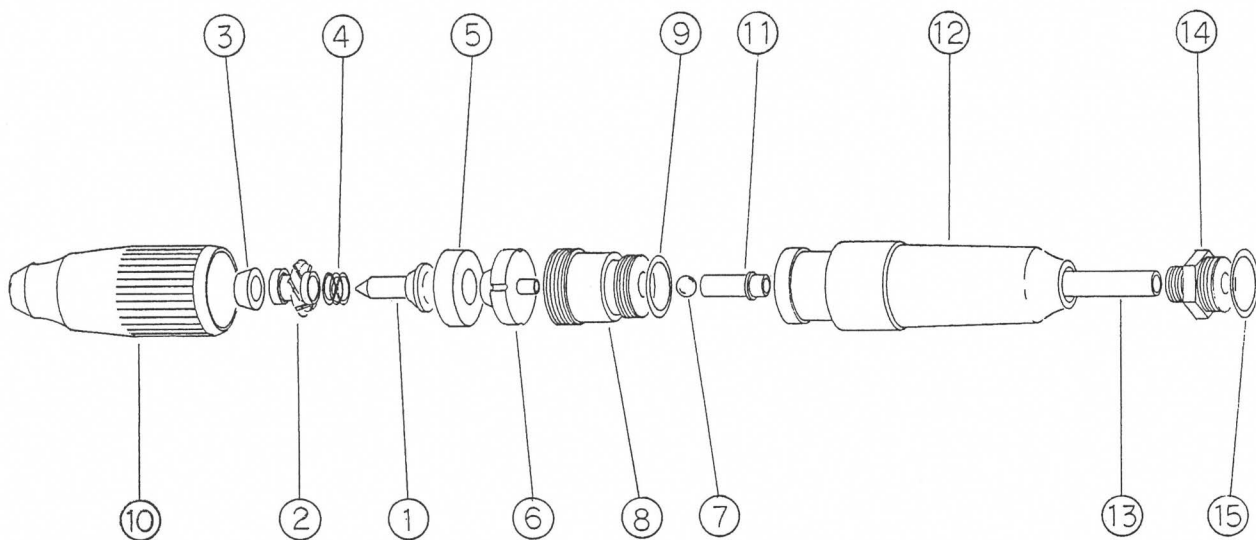
OTHER PRODUCTS

MODEL : G-400

SECTIONAL VIEW



EXPLODED VIEW



PART LIST:G-400

Part No.	Part Name	Part No.	Part Name
1	Bit	9	"0" Ring
2	Bit Guide	10	Gripe
3	Nose Danper	11	Nipple
4	Spring	12	Housing
5	Danper	13	Air Hose
6	Piston	14	Inlet
7	Ball	15	Washer
8	Valve seat		