

Fuji USER MANUAL

SAND RAMMERS

MODELS : FR-25L, -25L-2F



FR-25L



FR-25L-2F

SPECIFICATIONS

Model	Piston Diameter	Blows Hz	Stroke mm	Overall Length (Min.) mm	Mass (about) kg	Max. Air Consumption m ³ /min	Air Inlet Thread Size	Air Hose Size
	mm							mm
FR-25L	25.4	13	83	1041	7.0	0.7	Rc 1/2 or NPT	12.7
FR-25L-2F	25.4	13	83	1031	6.8	0.7	Rc 3/8	12.7

The performance figures are at 0.63MPa (6.3bar).



Refer to "The Instructions and Warning for Safety Use" enclosed in each tool box.

Fuji Industrial Technique Co.,Ltd.

2-1-14, Kamiji, Higashinari-ku, Osaka, 537-0003 Japan

Tel : 81-6-6972-2335

Fax : 81-6-6972-2380

ASSEMBLY TOOLS

ABRASIVE TOOLS

DRILLS / TAPPERS

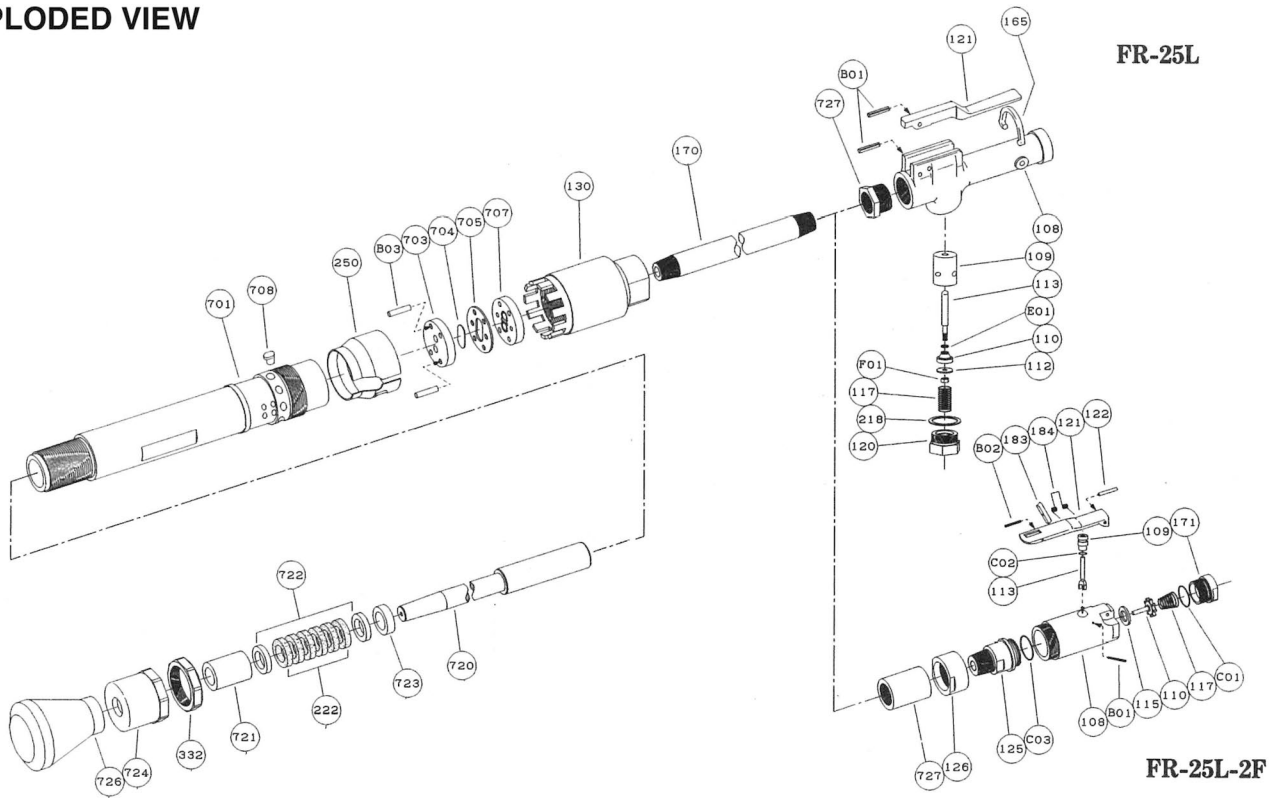
PERCUSSIVE TOOLS

AIR MOTORS

OTHER PRODUCTS

MODELS : FR-25L, -25L-2F

EXPLODED VIEW



PARTS LIST

Index No.	Parts No.	Parts Name	Qt.
FR-25L			
CP No.	R-006002-00	Handle CP	
170	R-006170-00	Pipe	1
727	R-006727-00	Socket Joint	1
CP No.	R-006003-00	Throttle Valve Body CP	
108	R-006003-50	Throttle Valve Body	1
(109)	R-006109-00	Throttle Valve Bushing	1
117	R-006117-00	Throttle Valve Spring	1
120	R-006120-00	Throttle Valve Cover	1
121	R-006121-00	Throttle Valve Lever	1
165	R-006165-00	Stop Ring	1
218	G-044218-00	Packing	1
B01	SP-422	Spring Pin	2
CP No.	R-006008-00	Throttle Valve Rod CP	
110	D-005110-01	Throttle Valve	1
112	D-005112-00	Throttle Valve Collar	1
113	R-006113-00	Throttle Valve Rod	1
E01	PW-4	Plain Washer	1
F01	N-4	Nut	1
130	R-006130-00	Cap	1
222	R-006222-00	Felt Ring	6
250	R-006250-00	Exhaust Cover	1
332	R-006332-00	Lock Nut	1
701	R-006701-00	Cylinder	1
703	R-006703-00	Valve Sheet	1
704	R-006704-00	Valve	1
705	R-006705-00	Valve Case	1
707	R-006707-00	Valve Cover	1
708	R-006708-A	Locking Clutch	1
720	R-006720-00	Piston	1
721	R-006721-00	Piston Bushing	1
722	R-006722-00	Leather Packing	2
723	R-006723-00	Packing Sheet	1
724	R-006724-00	Grand	1
726	R-3	Rubber Butt	1
B03	P-523	Pin	2

■ Standard Accessory (FR-25L N)

AC No.	Description	Qty
IB-404N00	Inlet Bushin (Rc1/2 → NPT1/2)	1

Index No.	Parts No.	Parts Name	Qt.
FR-25L-2F			
CP No.	R-006002-01	Handle CP	
170	R-006170-00	Pipe	1
727	H-021727-00	Socket Joint	1
CP No.	Y-020003-00	Throttle Valve Body CP	
108	Y-020108-00	Throttle Valve Body	1
109	Y-020109-00	Throttle Valve Bushing	1
110	Y-020110-00	Throttle Valve	1
113	Y-020113-00	Throttle Valve Rod	1
115	Y-020115-00	Throttle Valve Sheet	1
117	Y-020117-00	Throttle Valve Spring	1
121	G-144121-02	Throttle Valve Lever	1
122	H-001122-00	Throttle Valve Lever Pin	1
125	Y-020125-00	Throttle Valve Stem	1
126	Y-020126-00	Throttle Valve Stem Nut	1
171	Y-020171-00	Inlet Joint <Rc>	1
183	G-144183-00	Lock Key	1
184	G-144184-02	Lock Spring	1
B01	SP-220	Spring Pin	1
B02	SP-218	Spring Pin	1
C01	O-S22	"O" Ring	1
C02	O-S8	"O" Ring	1
C03	O-S25	"O" Ring	1
130	R-006130-00	Cap	1
222	R-006222-00	Felt Ring	6
250	R-006250-00	Exhaust Cover	1
332	R-006332-00	Lock Nut	1
701	R-006701-05	Cylinder	1
703	R-006703-00	Valve Sheet	1
704	R-006704-00	Valve	1
705	R-006705-00	Valve Case	1
707	R-006707-00	Valve Cover	1
708	R-006708-A	Locking Clutch	1
720	R-006720-00	Piston	1
721	R-006721-00	Piston Bushing	1
722	R-006722-00	Leather Packing	2
723	R-006723-00	Packing Sheet	1
724	R-006724-00	Grand	1
726	R-3	Rubber Butt	1
B03	P-523	Pin	2

□ CP No. denotes the assembled parts comprising of more than 1 pc. of parts. The related parts are shown in the thick frame.

□ #108 is supplied together with parts shown in ().

□ Specify parts number and quantity in ordering.