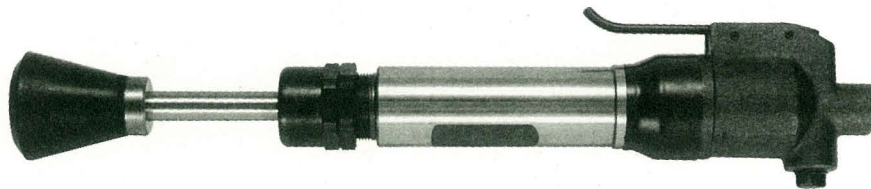


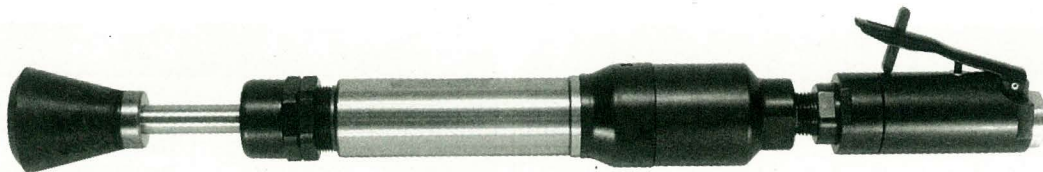
Fuji USER MANUAL

SAND RAMMERS

MODELS : FR-22B, -22B-2F



FR-22B



FR-22B-2F

SPECIFICATIONS

Model	Piston Diameter mm	Blows Hz	Stroke mm	Butt Diameter mm	Overall Length		Mass kg	Air Consumption (At Load) m ³ /min	Air Inlet Thread Size	Air Hose Size mm
					Min. mm	Max mm				
FR-22B	22	17	64	51	350	455	2.6	0.5	Rc 3/8	9.5
FR-22B-2F	22	17	64	51	424	529	3.1	0.5	Rc or NPT 3/8	9.5

The performance figures are at 0.63MPa (6.3bar).



Refer to "The Instructions and Warning for Safety Use" enclosed in each tool box.

Fuji Industrial Technique Co.,Ltd.

2-1-14, Kamiji, Higashinari-ku, Osaka, 537-0003 Japan

Tel : 81-6-6972-2335

Fax : 81-6-6972-2380

ASSEMBLY TOOLS

ABRASIVE TOOLS

DRILLS / TAPPERS

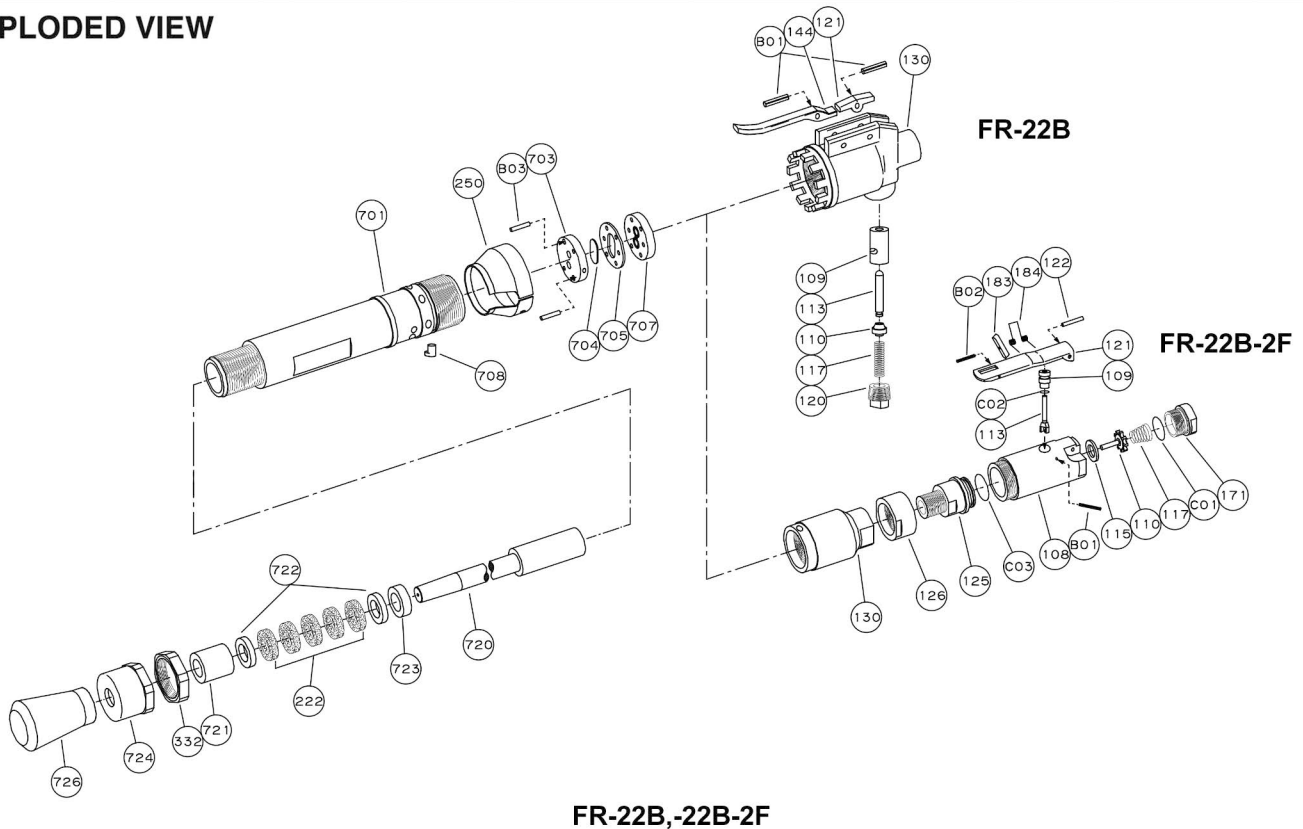
PERCUSSIVE TOOLS

AIR MOTORS

OTHER PRODUCTS

MODELS : FR-22B, -22B-2F

EXPLODED VIEW



FR-22B

FR-22B-2F

FR-22B,-22B-2F

PARTS LIST

Index No.	Parts No.	Parts Name	Qty
FR-22B			
—	R-003005-00	Cap Ass'y	
130	R-003130-00	Cap	1
(109)	R-003109-00	Throttle Valve Bushing	1
117	R-001117-00	Throttle Valve Spring	1
120	H-006120-00	Throttle Valve Cover	1
121	R-001121-00	Throttle Valve Lever	1
144	R-001144-00	Throttle Valve Lever (B)	1
B01	SP-420	Spring Pin	2
—	R-003008-00	Throttle Valve Rod Ass'y	
110	H-001110-02	Throttle Valve	1
113	R-003113-01	Throttle Valve Rod	1
222	R-003222-00	Felt Ring	5
250	R-003250-00	Exhaust Cover	1
332	R-003332-00	Lock Nut	1
701	R-003701-00	Cylinder	1
703	H-004703-00	Valve Sheet	1
704	H-004704-00	Valve	1
705	H-004705-00	Valve Case	1
707	H-004707-00	Valve Cover	1
708	R-003708-A	Locking Clutch	1
720	R-003720-00	Piston	1
721	R-003721-00	Piston Bushing	1
722	R-003722-00	Leather Packing	2
723	R-003723-00	Packing Sheet	1
724	R-003724-00	Grand	1
726	R-2	Rubber Butt	1
B03	P-316	Pin	2

■ Standard Accessory (FR-22B N)

AC No.	Description	Qty
IB-303N01	Inlet Bushing (Rc →NPT)	1

Index No.	Parts No.	Parts Name	Qty
FR-22B-2F			
—	Y-020003-00	Throttle Valve Ass'y (Rc)	
—	Y-020003-03	Throttle Valve Ass'y (NPT)	
108	Y-020108-00	Throttle Valve Body	1
109	Y-020109-00	Throttle Valve Bushing	1
110	Y-020110-00	Throttle Valve	1
113	Y-020113-00	Throttle Valve Rod	1
115	Y-020115-00	Throttle Valve Sheet	1
117	Y-020117-00	Throttle Valve Spring	1
121	G-144121-02	Throttle Valve Lever	1
122	H-001122-00	Throttle Valve Lever Pin	1
125	Y-020125-00	Throttle Valve Stem Nut	1
126	Y-020126-00	Throttle Valve Stem	1
171	Y-020171-00	Inlet Joint (Rc)	1
—	Y-020171-01	Inlet Joint (NPT)	1
183	G-144183-02	Lock Key	1
184	G-144184-00	Lock Spring	1
B01	SP-220	Spring Pin	1
B02	SP-218	Spring Pin	1
C01	O-S22	"O"Ring	1
C02	O-S8	"O"Ring	1
C03	O-S25	"O"Ring	1
130	R-004130-00	Cap	1
222	R-003222-00	Felt Ring	5
250	R-003250-00	Exhaust Cover	1
332	R-003332-00	Lock Nut	1
701	R-003701-06	Cylinder	1
703	H-004703-00	Valve Sheet	1
704	H-004704-00	Valve	1
705	H-004705-00	Valve Case	1
707	H-004707-00	Valve Cover	1
708	R-003708-A	Locking Clutch	1
720	R-003720-00	Piston	1
721	R-003721-00	Piston Bushing	1
722	R-003722-00	Leather Packing	2
723	R-003723-00	Packing Sheet	1
724	R-003724-00	Grand	1
726	R-2	Rubber Butt	1
B03	P-316	Pin	2

- The related parts are shown in thick frame.
- #130 is supplied together with parts shown in ().
- Specify parts number and quantity when ordering.