

# Fuji USER MANUAL

## STRAIGHT GRINDERS

MODELS : FG-8H-1,-1M,-1C



FG-8H-1



FG-8H-1M



FG-8H-1C

### SPECIFICATIONS

Model	Max. Dia (Grinding Wheel)		Free Speed min <sup>-1</sup>	Spindle Thread Size	Overall Length		Mass		Max. Air Consumption		Air Inlet Thread Size	Air Hose Size	
	mm	in			mm	in	kg	lb	Nm <sup>3</sup> /min	Nft <sup>3</sup> /min		mm	in
<b>FG-8H-1</b>	205×25×15.8	8×1×5/8	4,600	5/8-11UNC	472	18 19/32	5.4	11.8	1.6	56.5	Rc 1/2	12.7	1/2
<b>FG-8H-1M</b>	205×25×15.8	8×1×5/8	4,600	5/8-11UNC	557	21 59/64	5.5	12.1	1.6	56.5	Rcor NPT 1/2	12.7	1/2
<b>FG-8H-1C</b>	205×25×15.8	8×1×5/8	4,600	5/8-11UNC	538	21 3/16	5.6	12.3	1.6	56.5	Rc 3/8	12.7	1/2

The performance figures are at 0.63 MPa(6.3bar).

 Refer to "The Instructions and Warning for Safety Use" enclosed in each tool box.

Fuji Industrial Technique Co.,Ltd.

2-1-14, Kamiji, Higashinari-ku, Osaka, 537-0003 Japan

Tel : 81-6-6972-2335

Fax : 81-6-6972-2380

ASSEMBLY TOOLS

ABRASIVE TOOLS

DRILLS / TAPPERS

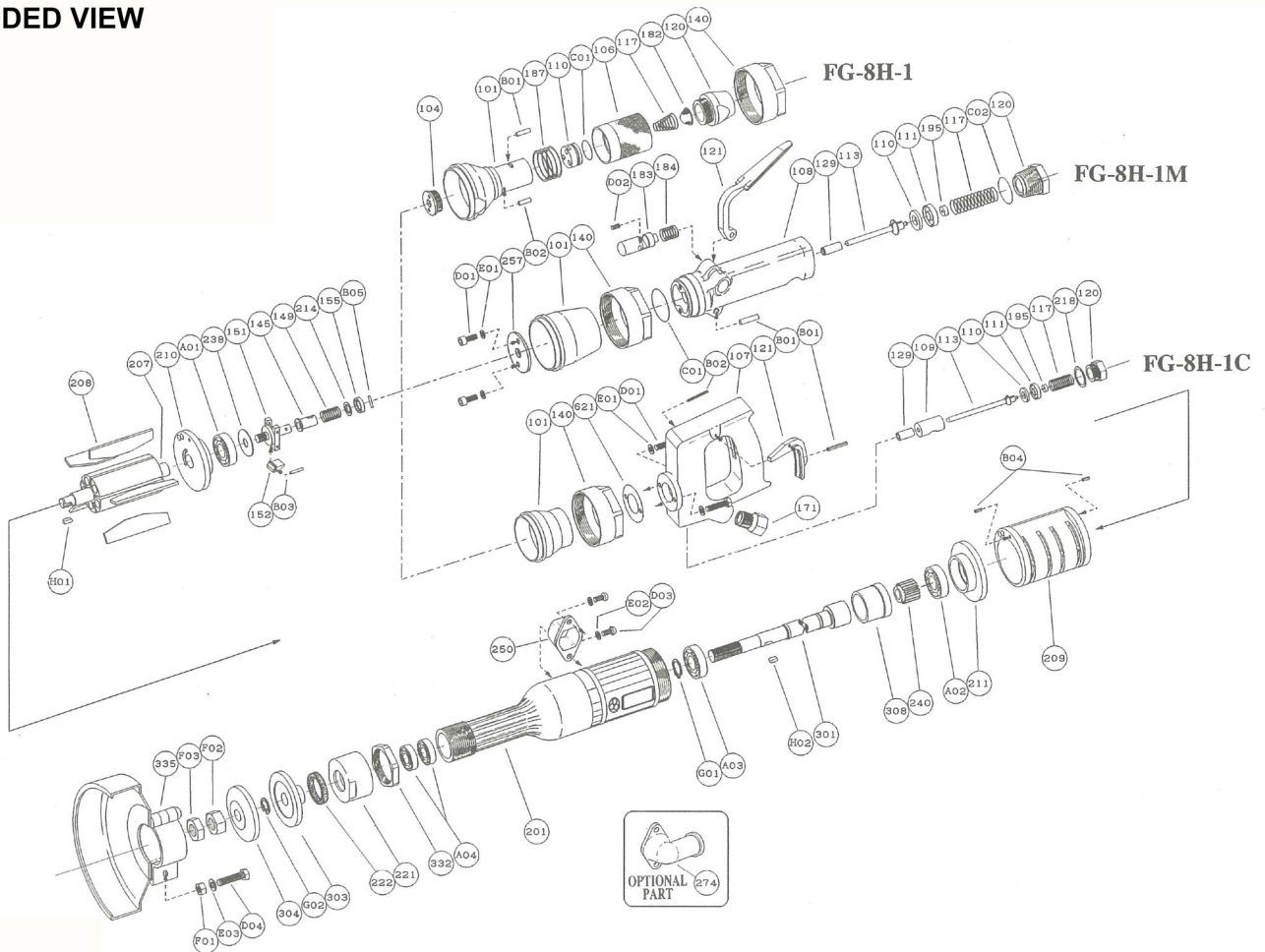
PERCUSSIVE TOOLS

AIR MOTORS

OTHER PRODUCTS

# MODELS : FG-8H-1, -1M, -1C

## EXPLODED VIEW



## PARTS LIST

Index No.	Parts No.	Parts Name	Qt.
<b>FG-8H-1</b>			
Ass'y No.	<b>G-160001-00</b>	<b>Housing Cover Ass'y</b>	
101	G-160101-00	Housing Cover	1
104	A-077104-01	Bushing	1
106	A-077106-03	Throttle Valve Handle	1
110	A-077110-00	Throttle Valve	1
117	A-077117-00	Throttle Valve Spring	1
120	G-070120-00	Throttle Valve Cover (Re)	1
120	G-070120-01	Throttle Valve Cover (NPT)	1
182	W-057182-00	Strainer	1
187	A-077187-01	Throttle Valve Handle Spring	1
B01	NR-415	Needle Roller	1
B02	NR-413	Needle Roller	1
C01	O-S22	"O" Ring	1
<b>FG-8H-1M</b>			
Ass'y No.	<b>G-160001-01</b>	<b>Housing Cover Ass'y</b>	
101	G-160101-00	Housing Cover	1
140	G-160140-00	Cup Nut	1
257	A-100257-00	Washer	1
D01	O-S44	"O" Ring	1
C01	CS-620	Cap Screw	2
E01	SW-6	Spring Washer	2
Ass'y No.	<b>A-100003-00</b>	<b>Throttle Valve Body Ass'y</b>	
108	A-100003-50	Throttle Valve Body	1
(129)	A-078129-00	Throttle Valve Rod Bushing	1
117	A-078117-01	Throttle Valve Spring	1
120	A-078120-03	Throttle Valve Cover (Re)	1
120	A-078120-04	Throttle Valve Cover (NPT)	1
121	A-078121-00	Throttle Valve Lever	1
183	A-078183-01	Lock Key	1
184	A-078184-00	Lock Spring	1
B01	GP-520GCH	Grooved Pin	1
C02	O-P28	"O" Ring	1
D02	SS-48	Set Screw	1
Ass'y No.	<b>A-078008-00</b>	<b>Throttle Valve Rod Ass'y</b>	
110	A-078110-01	Throttle Valve	1
111	A-078111-01	Throttle Valve Washer	1
113	A-078113-01	Throttle Valve Rod	1
195	W-080195-00	Sub Throttle Valve	1

Index No.	Parts No.	Parts Name	Qt.
<b>FG-8H-1C</b>			
Ass'y No.	<b>G-160002-00</b>	<b>Handle Ass'y</b>	
101	G-160101-02	Housing Cover	1
107	G-160107-00	Handle	1
109	G-048109-00	Throttle Valve Bushing	1
117	W-092117-00	Throttle Valve Spring	1
120	A-046120-00	Throttle Valve Cover	1
121	G-048121-00	Throttle Valve Lever	1
129	H-006129-00	Throttle Valve Rod Bushing	1
140	G-160140-00	Cup Nut	1
171	W-091171-00	Inlet Joint (Re)	1
171	W-091171-01	Inlet Joint (NPT)	1
218	G-044218-00	Packing	1
621	G-048621-A	Packing (A)	1
B01	SP-430	Spring Pin	1
B02	SP-332	Spring Pin	1
D01	CS-625	Cap Screw	2
E01	SW-6	Spring Washer	2
Ass'y No.	<b>G-160008-00</b>	<b>Throttle Valve Ass'y</b>	
110	A-078110-01	Throttle Valve	1
111	A-078111-01	Throttle Valve Washer	1
113	G-160113-00	Throttle Valve Rod	1
195	W-080195-00	Sub Throttle Valve	1
<b>FG-8H-1, -1M, -1C</b>			
Ass'y No.	<b>G-160010-00</b>	<b>Governor Weight Ass'y</b>	
151	A-193151-00	Governor Cage	1
152	G-160152-00	Governor Weight	2
B03	GP-2.524GCH	Grooved Pin	2
140	G-160140-00	Cup Nut (For FG-8H-1)	1
145	A-077145-00	Governor Valve	1
149	A-084149-01	Governor Valve Spring	1
155	A-069155-00	Governor Valve Spring Holder	1
201	G-160201-00	Housing	1
207	G-160207-00	Rotor	1
208	G-160208-00	Rotor Blade	5
209	G-160209-00	Cylinder	1
(B04)	SP-38	Spring Pin	2
210	G-160210-00	Cylinder Upper Plate	1
211	G-160211-00	Cylinder Lower Plate	1

Index No.	Parts No.	Parts Name	Qt.
214	A-069214-00	Adjusting Washer (T = 0.2)	(1)
	A-069214-01	Adjusting Washer (T = 0.3)	(1)
	A-069214-02	Adjusting Washer (T = 0.5)	(1)
221	G-154221-00	Spindle Bearing Cover	1
222	G-044222-00	Felt Ring	1
238	A-109238-00	Bearing Cover (B)	1
240	G-154240-00	Coupling	1
250	G-154250-00	Exhaust Cover	1
D03	CS-510B	Cap Screw	2
E02	SW-5	Spring Washer	2
301	G-154301-00	Wheel Spindle	1
303	G-160303-02	Wheel Flange (A)	1
304	G-160304-02	Wheel Flange (B)	1
308	G-160308-00	Spacer	1
332	G-098332-00	Lock Nut	1
335	G-071335-00	Wheel Guard	1
(D04)	HS-625	Hexagon Bolt	1
(E03)	SW-6	Spring Washer	1
(F01)	N-6	Nut	1
A01	BB-620MN	Ball Bearing	1
A02	BB-6202	Ball Bearing	1
A03	BB-6004	Ball Bearing	1
A04	BB-6003	Ball Bearing	2
B05	NR-2.515.8	Needle Roller	1
F02	N-U5/8	Nut	1
F03	N-U5/8 (3)	Nut	1
G01	SR-S20	Snap Ring	1
G02	SR-S16	Snap Ring	1
H01	K-4410F	Key	1
H02	K-4410	Key	1
<b>OPTIONAL PART</b>			
<b>EXHAUST HOSE JOINT</b>			
274	G-154274-00	Exhaust Hose Joint	1

□ Ass'y No. denotes the assembled parts comprising of more than 1 pc. of parts. The related parts are shown in the thick frame.  
 □ #108, 209 and 335 are supplied together with parts shown in ( ).  
 □ Specify parts number and quantity in ordering.